



FI M Series K640x480

# Small Pixel Pitch HD LED Display Screen

FI M SERIES (P1.25,P1.53,P1.86,P2,P2.5)(K640x480mm)

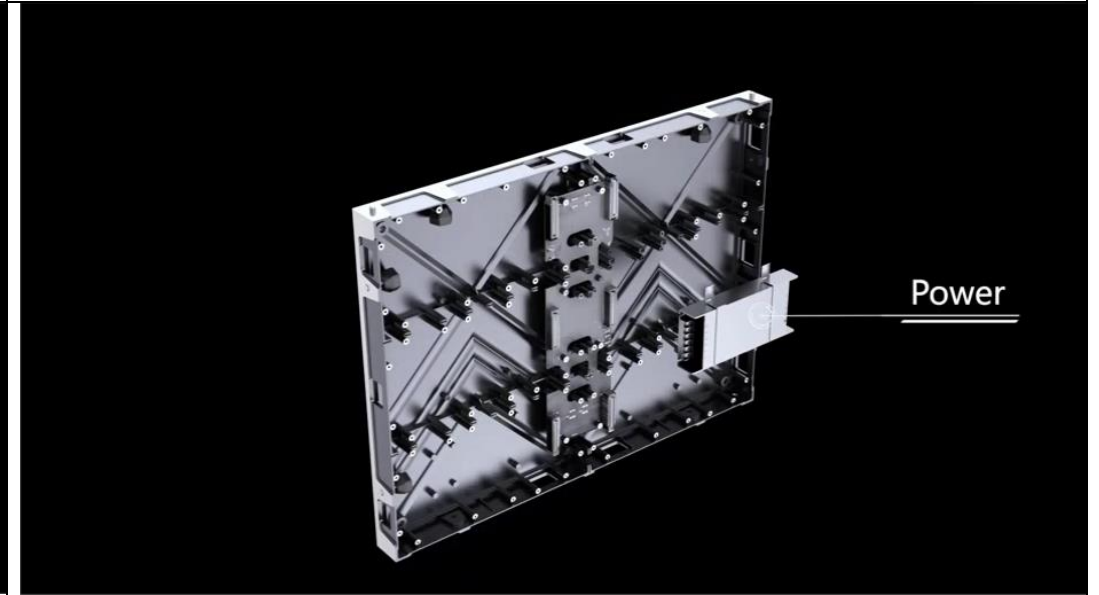
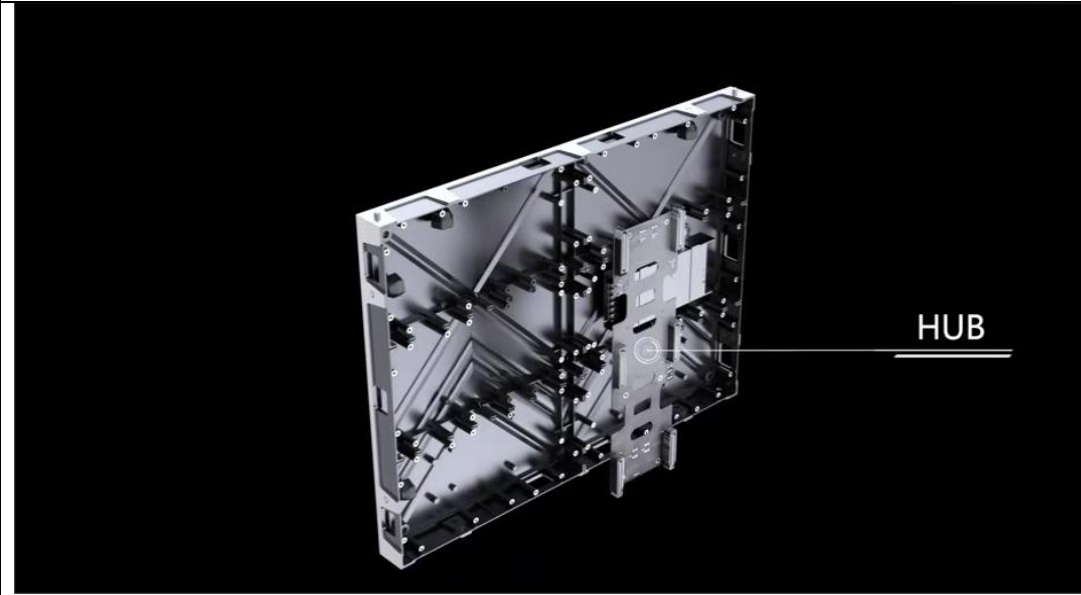
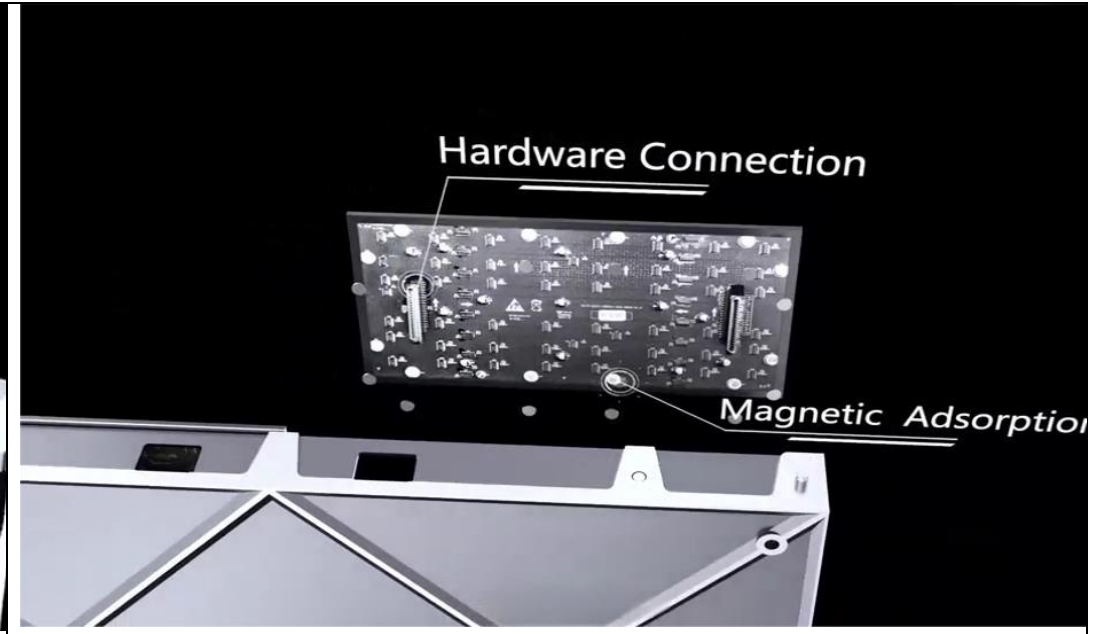
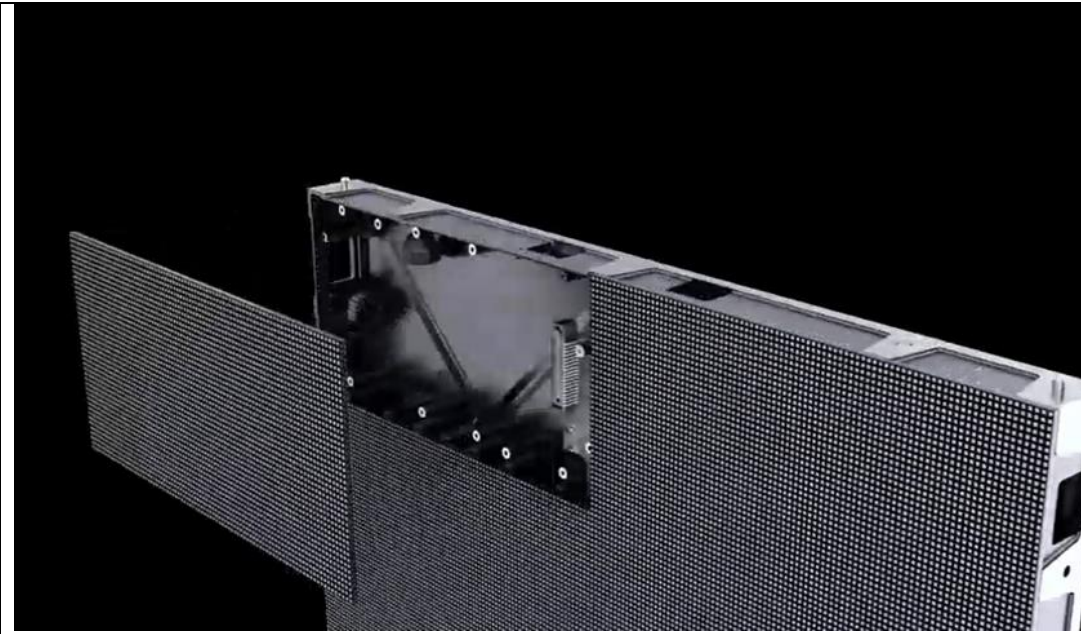
Indoor Front Service LED Display

Suitable for a variety of installation environments | Perfect Flatness



1. Split Joint Without Gap,
2. Ultra High Definition and Wide Visual
3. Anti-Blue Light, Anti-Visual Fatigue
5. High Refreshing, High Contrast Ratio
6. Front Maintenance

# Overview





# SHENZHEN KMTEKLED PHOTOELECTRICITY CO., LIMITED

Pixel Pitch	P1.25	P1.53	P1.86	P2	P2.5
LED Type	SMD1010	SMD1212	SMD1515	SMD2020	SMD2020
Physical Density (dots/m <sup>2</sup> )	640000	428613	288906	250000	160000
Module Resolution	256×128	209×105	172×86	160×80	128×64
Module Size(W×H)	320×160	320×160	320×160	320×160	320×160
Cabinet Size(mm)	640×480	640×480	640×480	640×480	640×480
Cabinet Resolution	512×384	416×312	344×256	320×240	256×192
Cabinet Weight(kg)	7.5kg	7.5kg	7.5kg	7.5kg	7.5kg
Maintenance Mode	Front service	Front service	Front service	Front service	Front service
Cabinet Material	Die-casting Aluminum	Die-casting Aluminum	Die-casting Aluminum	Die-casting Aluminum	Die-casting Aluminum
Brightness	600-800cd	600-800cd	600-800cd	600-800cd	600-800cd
Viewing angle(H/V)	160°/160°	160°/160°	160°/160°	160°/160°	160°/160°
The best viewing distance	≥1.25m	≥1.53m	≥1.86m	≥2m	≥2.5m
Drive Mode	Static, 1/64 Scan	Static, 1/52 Scan	Static, 1/43 Scan	Static, 1/40 Scan	Static, 1/32 Scan
Grey Level	16 bit	16 bit	16 bit	16 bit	16 bit
Refresh Rate(Hz)	3840	3840	3840	3840	3840
Max Power Consumption(W/m <sup>2</sup> )	500	500	500	500	500
Average Power Consumption(W/m <sup>2</sup> )	165-260	165-260	165-260	165-260	165-260
IP Grade	IP43	IP43	IP43	IP43	IP43
Input Power	AC110-240V, 50/60Hz				
Working Temperature/Humidity (°C/RH)	-20-50°C/35%-75%				
Storage Temperature/Humidity (°C/RH)	-20-50°C/35%-75%				



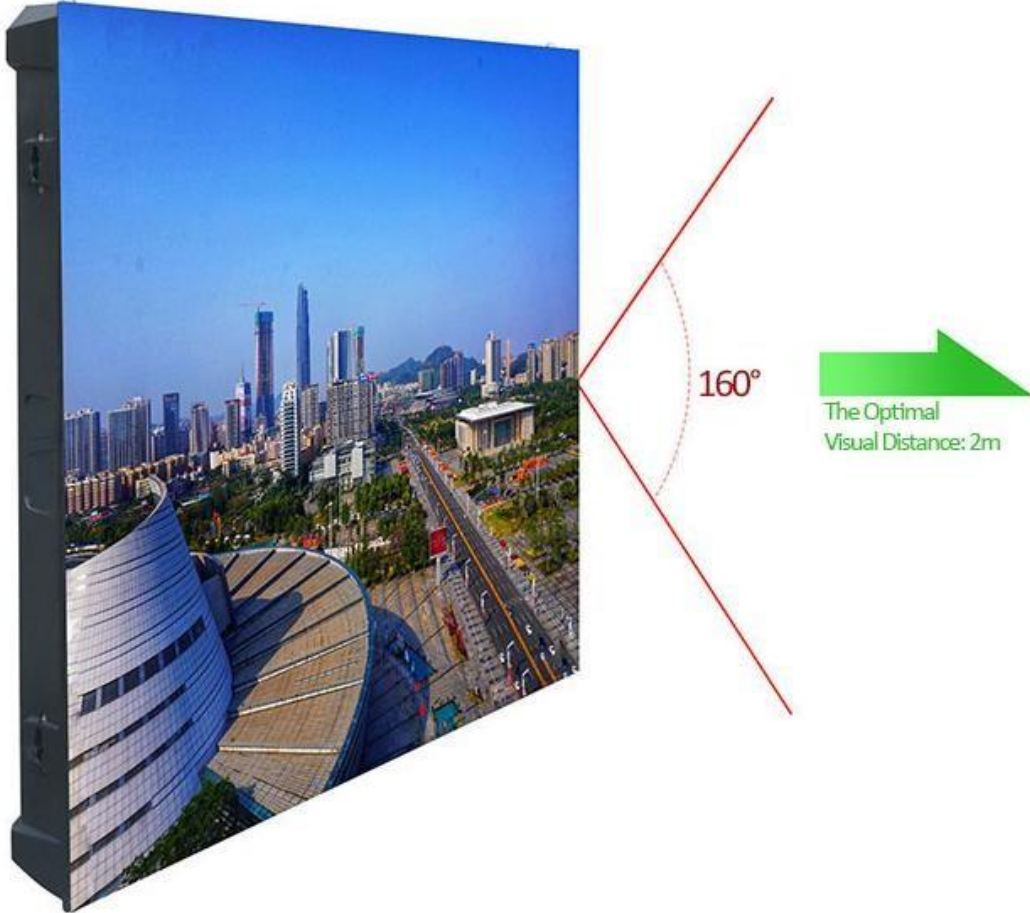
# SHENZHEN KMTEKLED PHOTOELECTRICITY CO., LIMITED



Perfect to split joint without gap, it can be jointed as various of sizes or shapes.



# SHENZHEN KMTEKLED PHOTOELECTRICITY CO., LIMITED



160° Ultra-Wide Visual Angle, to view without blind angle and color cast, 4K HD picture quality, to enjoy a visual feast.



VS

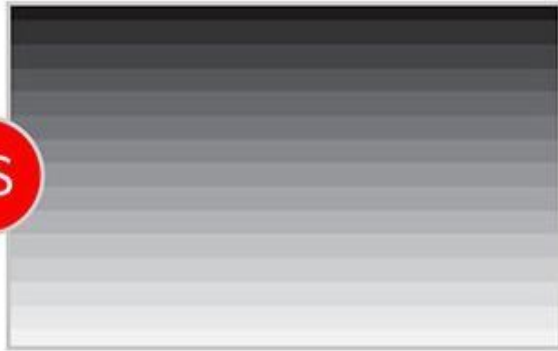


High Refreshing Rate

Low Refreshing Rate

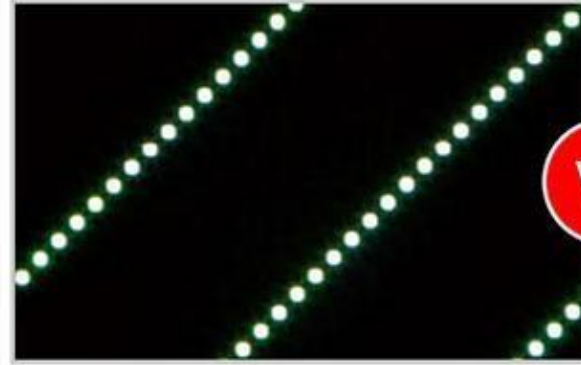


VS

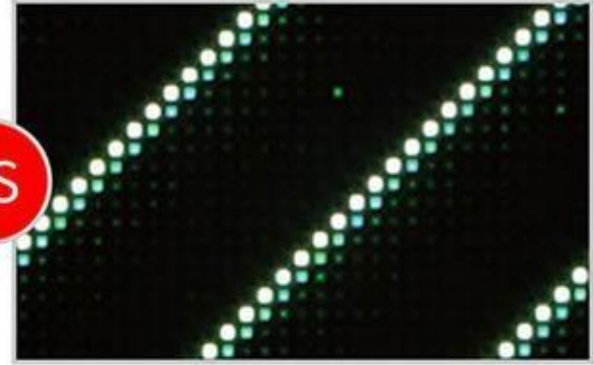


Gray Transition is Smooth

Gray Transition is not Smooth



VS



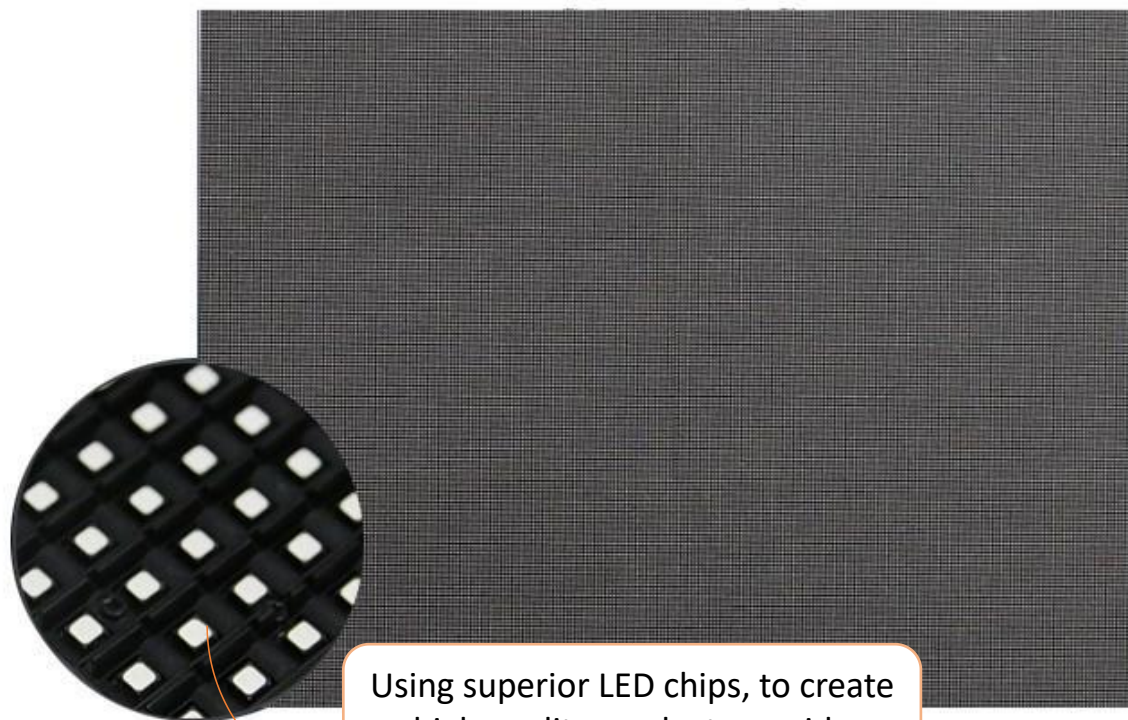
No Ghost Phenomenon

Picture is Overlying and Delay

Low brightness, high grayscale and refreshing, the picture is stable by dynamic display, no corrugated



# SHENZHEN KMTEKLED PHOTOELECTRICITY CO., LIMITED



Using superior LED chips, to create high quality product, provide guarantee for you.

Front maintenance and installation, no need maintenance space, convenient and fast, reinforcing cover, to make it be flat.

### 3 Steps to realize front maintenance



Magnetic Equipment



Be Direct to Display Module



Take off module



# SHENZHEN KMTEKLED PHOTOELECTRICITY CO., LIMITED

## Application Fields:

It is mainly used for store, conference, studio, airport, exhibition hall, monitoring center, and other indoor areas.



# Application





# Installation method

